



1. Introduction

Notice

Before you use the scale, please read this manual through carefully, and keep it properly for future use.

Safety Guide

For good performance and precise measurement, be careful with daily operation and maintenance. Note the following instructions:

- ➡ Do **NOT** overload the scale. This will damage the loadcell and void the warranty.
- ➡ Do **NOT** leave load hung on the scale for long. This will decrease the scale's accuracy and shorten the loadcell's life.
- ➡ Inspect shackle and hook before using.
- ➡ When the scale runs out of power, replace the battery with full ones.
- ➡ Do **NOT** use the scale under thunder or rain.
- ➡ Do **NOT** attempt to repair the scale yourself. Contact your local representative.

2. Specifications

Features

This scale is a combination of the sound and proven mechanical design, with today's most advanced electronics to provide a superb feature set. It is versatile, reliable, accurate and easy to operate.

- Great Safety** Quality stainless steel load receptor and ABS Plastic case for better safety.
- Newest Design** 20mm LCD, visual distance over 10m.
- Leading Technology** Dismountable hook. SMT technology, quality integrated circuit and dedicated weighing loadcell, ensures long time stability.
- Smart** 3 x AA battery with low power consumption design.
- Power-saving**
- Portable** Different color optional. Easy to carry.

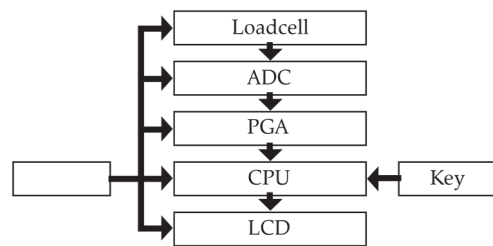
Specifications

Tare Range	100% F.S.
Auto Zero	± 50% F.S.
Manual Zero	± 2% F.S.
Zero-tracking	0.5e/s
Reading Stable Time	≤10seconds
Auto-sleep	Sable and no action in 15 minutes.
Auto-off	Sable and no action in 15 minutes.
Overload	100% F.S. +30d
Max. Safety Load	120% F.S.
Ultimate Load	300% F.S.
Battery Life	>150 hours
Battery	3 x AA battery
Temp. (Op.)	10°C ~ +40°C
Humidity (Op.)	≤90% at 20°C
Display	0.7 inch (17.78mm) numerical
Net Weight	Aluminum-casting case: 565g、 ABS Plastic case: 450g

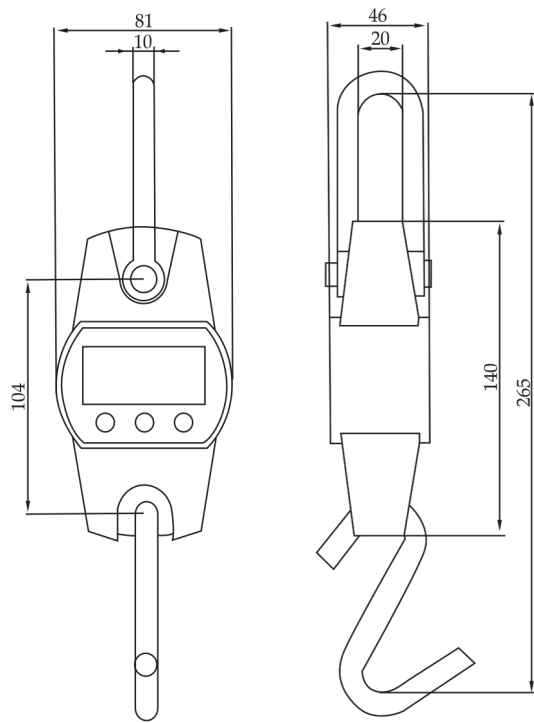
Capacity and Resolution

Max. Cap. (kg/lb)	E (kg/lb)	Division (n)
30/60	0.01/0.02	3,000
50/100	0.02/0.05	2,000
60/120	0.02/0.05	3,000
100/200	0.05/0.1	2,000
120/240	0.05/0.1	2,400
150/300	0.05/0.1	3,000
200/400	0.1/0.2	3,000
300/600	0.1/0.2	3,000

Schematic Diagram



Dimension





3. Operation Guide

A. O/T key

1. Press "O/T" Switch scale is power on ,Screen shows detection message while scale detects Its loan and auto-zero itself.
2. Press "O/T" button about 3 seconds, the scale will turn off.
- 3.If weight is display, Press" O/T" Switch to store weight as tare.

B. HOLD key

1. Press "HOLD" Switch to lock the display,then "  " shows and display is frozen.
2. Press "HOLD" Switch again to resume display, "  " hides and display resume refreshing.

C.UNIT key

Press "UNIT" Switch to switch measuring unit between kg,lb and N.

4. Trouble-shooting

Symptom	Possible Causes	Solution
blank display when On/Off is pressed	discharged battery	replace battery
	defective battery	
	defective ON/OFF key	press ON/OFF key for long
no action taken after TARE or HOLD is pressed	defective TARE or HOLD key	clean TARE or HOLD key
unstable readings	scale in motion	stabilize the load and scale
	scale is damped	dry the scale
	dust on PCB board	clean PCB board
reading is not zero without load	unstable system power	longer warm-up time
	load-cell stressed too much or too long	hang the scale in storage
large error in weight reading	scale is not zeroed before loading	keep the scale unload and reboot
	re-calibration needed	re-calibrate the scale
	improper unit	switch to preper unit